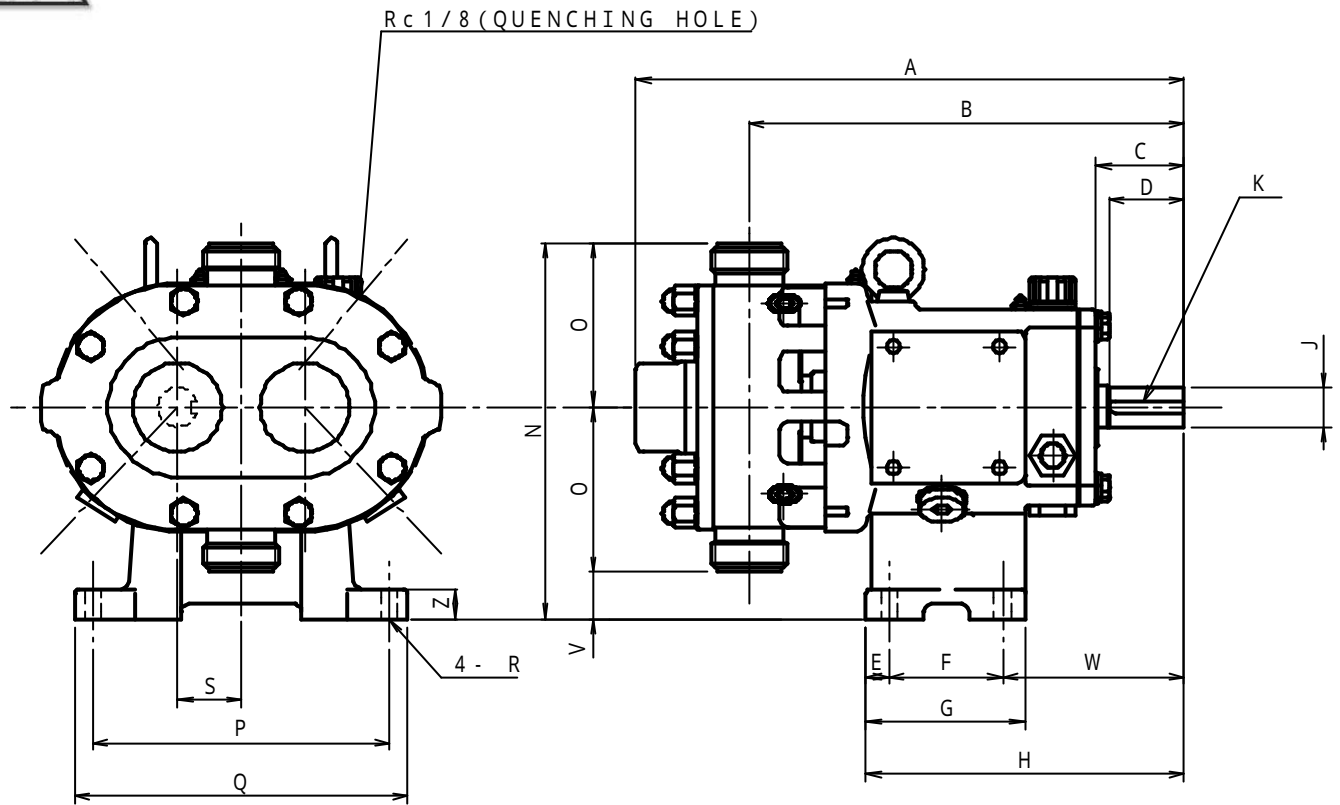




JMU SERIES DIMENSIONS

VERTICAL CONSTRUCTION



[mm]	V JMU 2 · 4	V JMU 10	V JMU 16	V JMU 25	V JMU 40	V JMU 55	V JMU 125	V JMU 160 · 200	V JMU 300
A	254.5	328	328	362	372	432	458	592	872
B	207	271	266	287	291	347.5	364	464	702
C	34	62	62	58	58	63	63	75	110
D	30	50	50	50	50	54	54	70	100
E	10	15	15	15	15	20	20	20	35
F	58	60	60	75	75	125	125	153	235
G	78	90	90	105	105	165	165	193	305
H	153	199	199	210	210	295	295	338	502
I	100	113	113	140	140	150	150	200	300
J	18	22	22	26	26	36	36	55	70
K	Width	6	6	8	8	10	10	16	22
	Depth	3.5	3.5	3.5	4	4	5	6	9
M	-	220	220	252	252	291	291	380	516
N	183.5	203	203	248.5	248.5	285	285	390	550
O	83.5	90	90	108.5	108.5	135	135	190	250
P	132	170	170	196	196	280	280	360	400
Q	154	196	196	220	220	310	310	400	470
R	9	11	11	11	11	17	17	19	23
S	24	32.5	32.5	42	42	57.5	57.5	77	92.5
T	19	24	30	36	46	46	60	96	150
U	1 "	1 1/2 "	1 1/2 "	1 1/2 "	2 "	2 "	2 1/2 "	4 "	6 "
V	16.5	23	23	31.5	31.5	15	15	10	50
W	85	124	124	120	120	150	150	165	267
Z	12	18	18	20	20	23	23	23	30