

One Source

Krebs® vMAX™ vertical cantilever pump



**Extreme duty vertical cantilever pump
for sump and process duties**

FLSMIDTH
KREBS

KREBS® vMAX™ pumps

Applications

- Mining and mineral processing
- Carbon transfer
- Industrial processing
- Heavy-duty abrasive slurries
- Power Plants
- Dewatering
- Plant floor cleanup

Extreme duty vertical cantilever pump for sump and process duties

The new “vMAX™” line of vertical cantilever hard metal pumps has been developed for conventional clean up sump duties and process duties that require reduced degradation of pumped solids. The fully recessed torqueflow cup style impeller design permits passing of pipe size solids and operation without the need for sump level control.

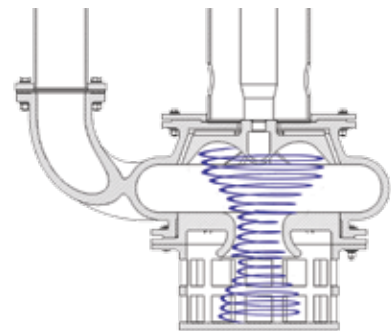
The casing is configured for bottom suction only to prevent build up of solids in the bottom of the sump. Leakage from the back of the casing, through the life of the pump, is prevented by high performance expelling vanes on the back shroud of the impeller.

The suction entry is flared to promote prerotation of the slurry prior to entry into the pump and scours the floor of the sump to keep it clean.

An oversized surface area suction strainer prevents premature blinding to increase operational life.

The recessed impeller allows slurry to run back down the discharge pipe with minimal impact on the impeller when the slurry level drops below the suction. The pump can operate without level control if necessary.

Pumps sizes are available from 2” (50mm) to 8” (200mm), in submerged lengths of 5’ (1.5m), 6’ (1.8m) and 7’ (2.1m) with heads up to 120’ (36.5m).



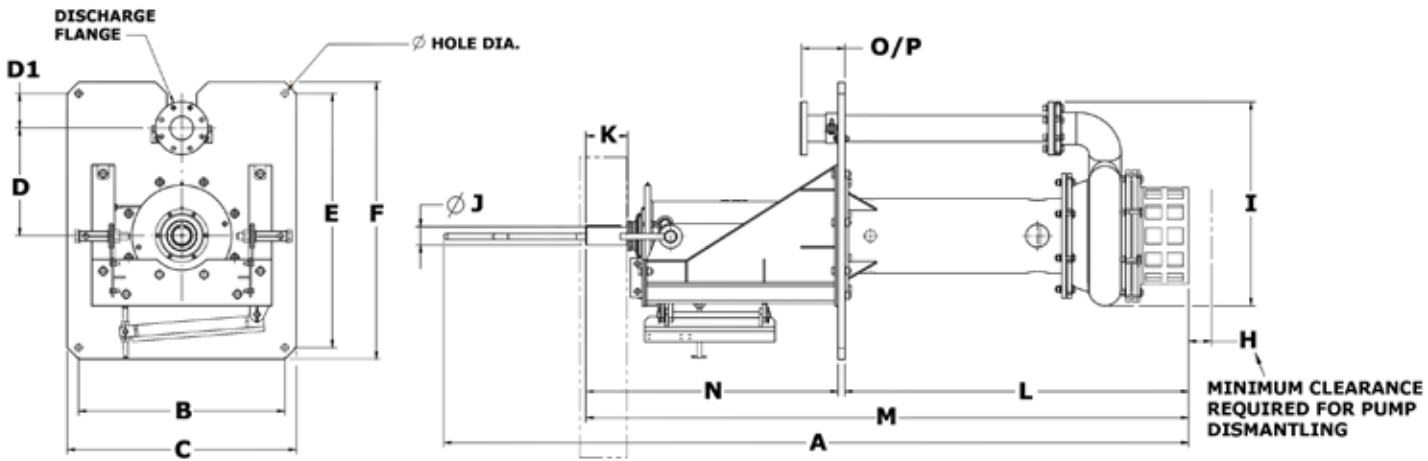
Pump Model	Size	A		B		C		D		D1		E		F		H		I	
VM050-A 1.5	2x2-11	2934	[115.5]	700	[27.6]	800	[31.5]	316	[12.4]	183	[7.2]	800	[31.5]	900	[35.4]	100	[3.9]	617	[24.3]
VM050-A 1.8	2x2-11	3234	[127.3]	700	[27.6]	800	[31.5]	316	[12.4]	183	[7.2]	800	[31.5]	900	[35.4]	100	[3.9]	617	[24.3]
VM050-A 2.1	2x2-11	3534	[139.1]	700	[27.6]	800	[31.5]	316	[12.4]	183	[7.2]	800	[31.5]	900	[35.4]	100	[3.9]	617	[24.3]
VM080-A 1.5	3x3-13	3089	[121.6]	700	[27.6]	800	[31.5]	400	[15.7]	99	[3.9]	800	[31.5]	900	[35.4]	100	[3.9]	784	[30.9]
VM080-A 1.8	3x3-13	3389	[133.4]	700	[27.6]	800	[31.5]	400	[15.7]	99	[3.9]	800	[31.5]	900	[35.4]	100	[3.9]	784	[30.9]
VM080-A 2.1	3x3-13	3689	[145.2]	700	[27.6]	800	[31.5]	400	[15.7]	99	[3.9]	800	[31.5]	900	[35.4]	100	[3.9]	784	[30.9]
VM100-B 1.5	4x4-15	3262	[128.4]	900	[35.4]	1000	[39.4]	465	[18.3]	150	[5.9]	1100	[43.3]	1200	[47.2]	100	[3.9]	883	[34.8]
VM100-B 1.8	4x4-15	3562	[140.2]	900	[35.4]	1000	[39.4]	465	[18.3]	150	[5.9]	1100	[43.3]	1200	[47.2]	100	[3.9]	883	[34.8]
VM100-B 2.1	4x4-15	3862	[152]	900	[35.4]	1000	[39.4]	465	[18.3]	150	[5.9]	1100	[43.3]	1200	[47.2]	100	[3.9]	883	[34.8]
VM150-B 1.5	6x6-19	3385	[133.3]	1200	[47.2]	1300	[51.2]	620	[24.4]	150	[5.9]	1200	[47.2]	1300	[51.2]	100	[3.9]	1169	[46]
VM150-B 1.8	6x6-19	3685	[145.1]	1200	[47.2]	1300	[51.2]	620	[24.4]	150	[5.9]	1200	[47.2]	1300	[51.2]	100	[3.9]	1169	[46]
VM150-B 2.1	6x6-19	3985	[156.9]	1200	[47.2]	1300	[51.2]	620	[24.4]	150	[5.9]	1200	[47.2]	1300	[51.2]	100	[3.9]	1169	[46]
VM200-B 1.8	8x8-22	3564	[140.3]	1200	[47.2]	1300	[51.2]	792	[31.2]	203	[8]	1550	[61]	1650	[65]	100	[3.9]	1490	[58.7]
VM200-B 2.1	8x8-22	3864	[152.1]	1200	[47.2]	1300	[51.2]	792	[31.2]	203	[8]	1550	[61]	1650	[65]	100	[3.9]	1490	[58.7]
VM200-B 2.4	8x8-22	4164	[163.9]	1200	[47.2]	1300	[51.2]	792	[31.2]	203	[8]	1550	[61]	1650	[65]	100	[3.9]	1490	[58.7]



An industry standard for more than 15 years

Resulting performance advantages

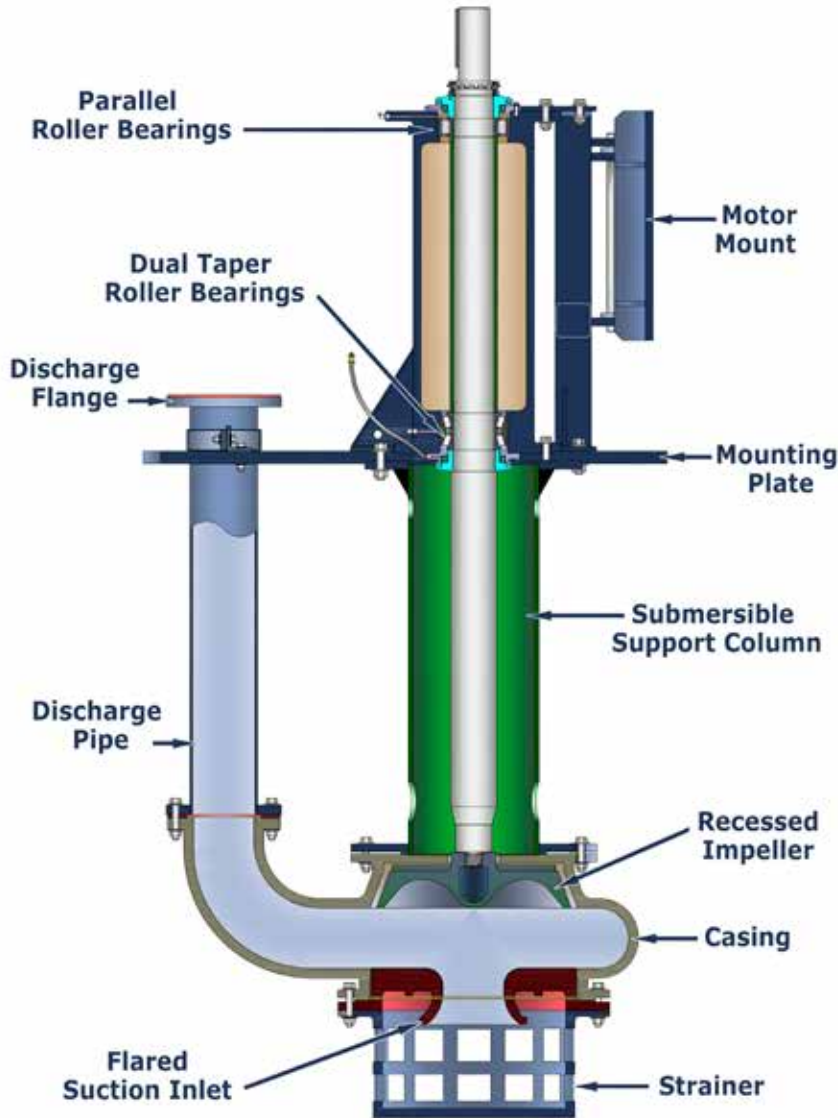
- reliable continuous operation when slurry is available
- no shaft deflection during loss of prime due to run back of slurry down discharge pipe
- no impeller adjustments required
- no shutdown due to clogging
- no sump level controls
- less downtime
- simple maintenance



	J	K	KEY	L	M	N	O	(ANSI)	P	(DIN)	FLANGE	HOLE DIA.	WEIGHT							
00	[2.4]	156	[6.1]	18x11x100	1345	[53]	2276	[89.6]	906	[35.7]	180	[7.1]	180	[7.1]	50	[2]	30	[1.2]	708	[1561]
00	[2.4]	156	[6.1]	18x11x100	1645	[64.8]	2576	[101.4]	906	[35.7]	180	[7.1]	180	[7.1]	50	[2]	30	[1.2]	745	[1643]
00	[2.4]	156	[6.1]	18x11x100	1945	[76.6]	2876	[113.2]	906	[35.7]	180	[7.1]	180	[7.1]	50	[2]	30	[1.2]	783	[1727]
00	[2.4]	156	[6.1]	18x11x100	1500	[59.1]	2431	[95.7]	906	[35.7]	178	[7]	308	[12.1]	75	[3]	30	[1.2]	839	[1850]
00	[2.4]	156	[6.1]	18x11x100	1800	[70.9]	2731	[107.5]	906	[35.7]	178	[7]	308	[12.1]	75	[3]	30	[1.2]	880	[1940]
00	[2.4]	156	[6.1]	18x11x100	2100	[82.7]	3031	[119.3]	906	[35.7]	178	[7]	308	[12.1]	75	[3]	30	[1.2]	920	[2029]
00	[3.1]	182	[7.2]	22x14x150	1500	[59.1]	2631	[103.6]	1101	[43.3]	189	[7.4]	189	[7.4]	100	[4]	30	[1.2]	1281	[2825]
00	[3.1]	182	[7.2]	22x14x150	1800	[70.9]	2931	[115.4]	1101	[43.3]	189	[7.4]	189	[7.4]	100	[4]	30	[1.2]	1333	[2939]
00	[3.1]	182	[7.2]	22x14x150	2100	[82.7]	3231	[127.2]	1101	[43.3]	189	[7.4]	189	[7.4]	100	[4]	30	[1.2]	1385	[3054]
00	[3.1]	182	[7.2]	22x14x150	1623	[63.9]	2754	[108.4]	1101	[43.3]	164	[6.5]	164	[6.5]	150	[6]	30	[1.2]	1683	[3711]
00	[3.1]	182	[7.2]	22x14x150	1923	[75.7]	3054	[120.2]	1101	[43.3]	164	[6.5]	164	[6.5]	150	[6]	30	[1.2]	1740	[3837]
00	[3.1]	182	[7.2]	22x14x150	2223	[87.5]	3354	[132]	1101	[43.3]	164	[6.5]	164	[6.5]	150	[6]	30	[1.2]	1797	[3962]
00	[3.1]	182	[7.2]	22x14x150	1800	[70.9]	2932	[115.4]	1100	[43.3]	193	[7.6]	193	[7.6]	203	[8]	35	[1.4]	2385	[5259]
00	[3.1]	182	[7.2]	22x14x150	2100	[82.7]	3232	[127.2]	1100	[43.3]	193	[7.6]	193	[7.6]	203	[6]	35	[1.4]	2446	[5393]
00	[3.1]	182	[7.2]	22x14x150	2400	[94.5]	3532	[139.1]	1100	[43.3]	193	[7.6]	193	[7.6]	203	[6]	35	[1.4]	2507	[5528]

vMAX™ for sump and process duties

www.flsmidthkrebs.com



Tucson, Arizona USA
Tel: +1 520 744 8200
E-mail: krebs@flsmidth.com

Queensland, Australia
Tel: +61 7 5519 5700
krebsaustralia@flsmidth.com

Western Australia
Tel: +61 8 6258 4800
krebsaustralia@flsmidth.com

Neusiedl am See, Austria
Tel: +43 2167 3345
krebseurope@flsmidth.com

Sao Paulo, Brasil
Tel: +55-15-3416-7400
krebsbrasil@flsmidth.com

Santiago, Chile
Tel: +56 2 2463 8350
krebsschile@flsmidth.com

Beijing P.R. China
Tel: +86-10 8468 9100
krebschina@flsmidth.com

Chennai, India
Tel: +91 44 4748 1000
krebsindia@flsmidth.com

Manila, Philippines
Tel: +63-2-687-9251
Krebs-Philippines@flsmidth.com

Johannesburg, South Africa
Tel: +27 (0)10 210 4750
krebsafrica@flsmidth.com

www.flsmidthkrebs.com